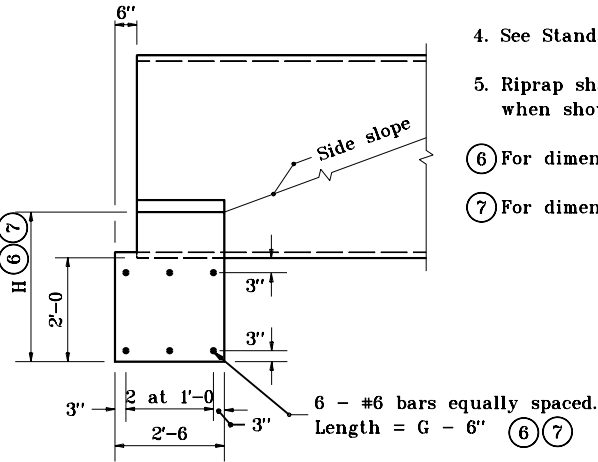
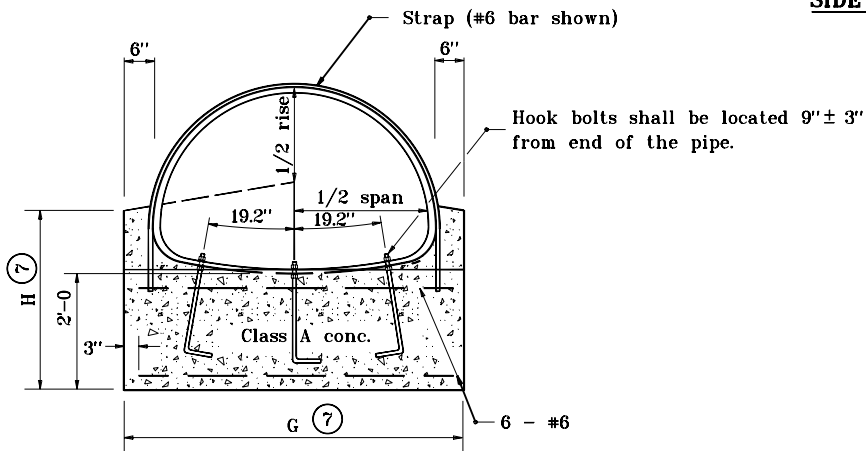


**ANCHOR FOR CIRCULAR CORRUGATED METAL PIPE  
FRONT ELEVATION**



**SIDE ELEVATION**



**ANCHOR FOR CORRUGATED METAL PIPE-ARCH  
FRONT ELEVATION**

**GENERAL NOTES**

1. Anchor straps shall be used at both upstream and downstream ends of all C.M. pipes with a diameter or span of 42" or greater.
2. See Standard Drawing E 715-PASD-01 for anchor strap details.
3. Hook bolts and anchor straps shall be used for all C.M. pipes with a diameter or span of 84" or greater.
4. See Standard Drawing E 715-PAHB-01 for hook bolt details.
5. Riprap shall be placed at the ends of pipe structures when shown on plans.

⑥ For dimension chart see Standard Drawing E 715-ANCH-01.

⑦ For dimension chart see Standard Drawing E 715-ANCH-02.

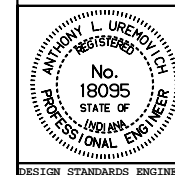
**LEGEND**

C.M. = Corrugated Metal

INDIANA DEPARTMENT OF TRANSPORTATION

**SINGLE PIPE  
CONCRETE ANCHOR**  
JANUARY 1998

STANDARD DRAWING NO. E 715-SPCA-01



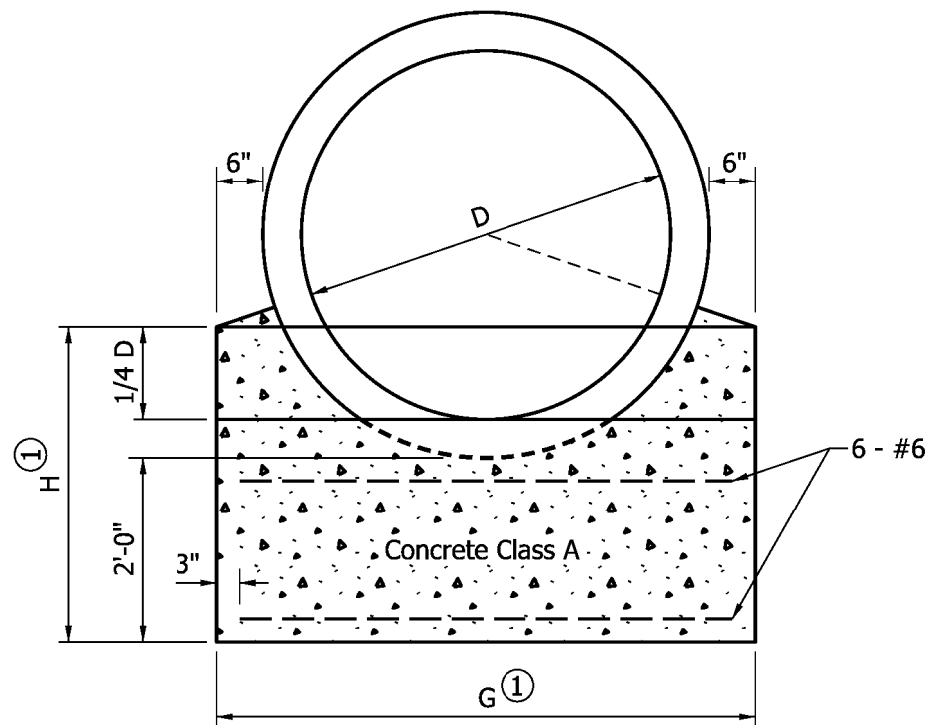
DETAILS PLACED IN THIS FORMAT 7-27-99

/s/ Anthony L. Uremovich 7-27-99  
DESIGN STANDARDS ENGINEER DATE

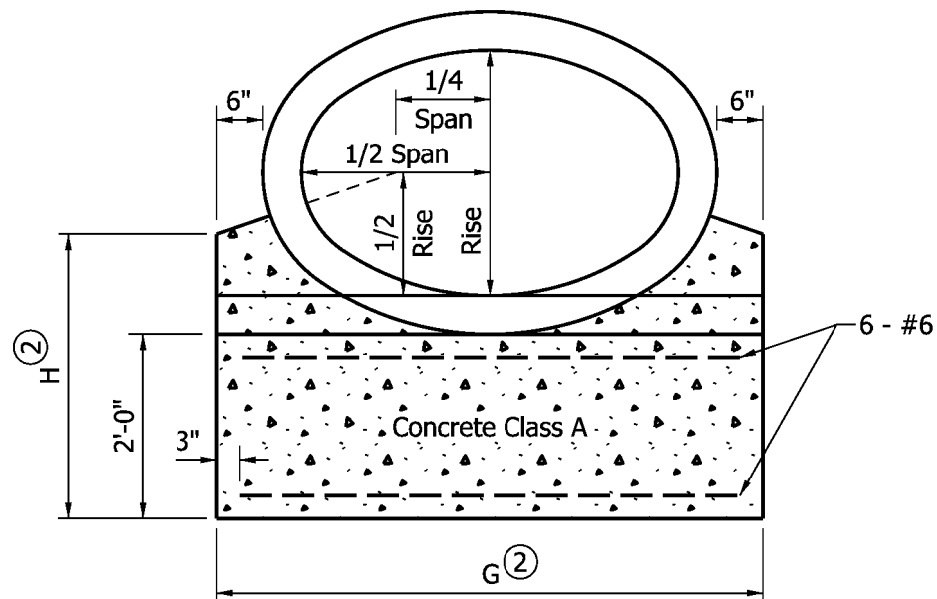
/s/ Firooz Zandi 7-27-99  
CHIEF HIGHWAY ENGINEER DATE

DESIGN STANDARDS ENGINEER

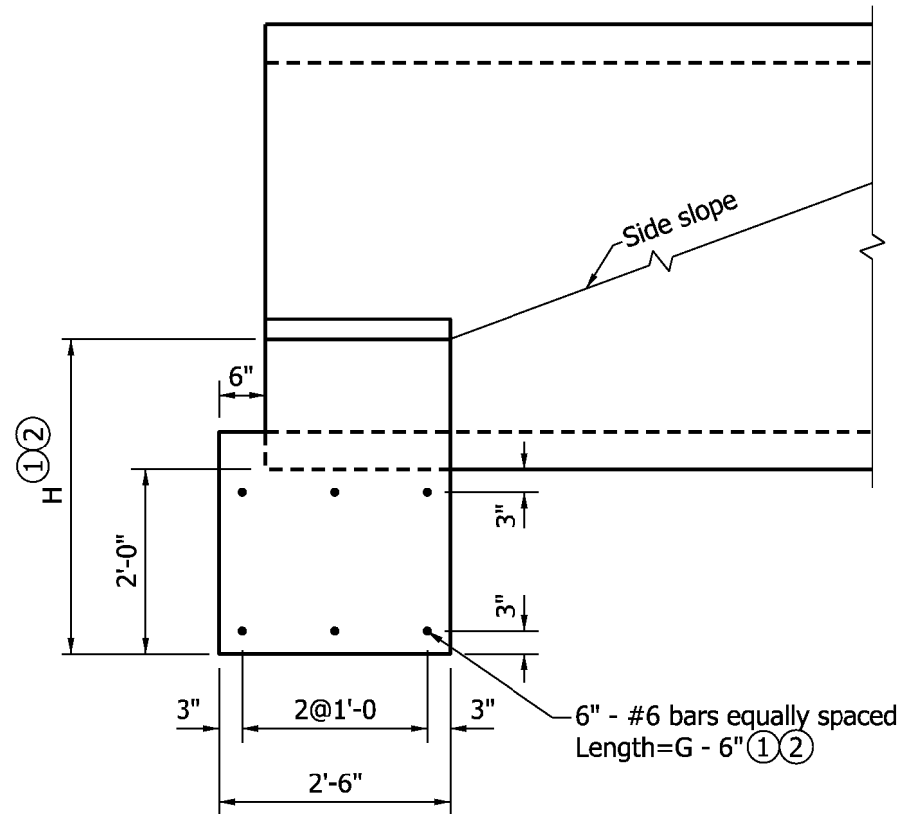
ORIGINALLY APPROVED 1-02-98



ANCHOR FOR  
REINFORCED CONCRETE PIPE  
FRONT ELEVATION



ANCHOR FOR  
REINFORCED CONCRETE HORIZONTAL ELLIPTICAL PIPE  
FRONT ELEVATION



SIDE ELEVATION

GENERAL NOTES

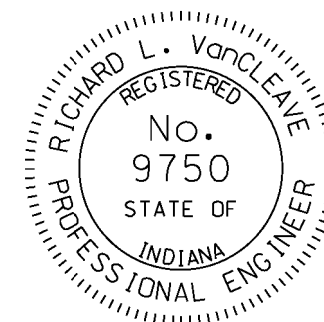
- 1 For dimension, enter chart on Standard Drawing E 715-ANCH-01 with known dimension D.
- 2 For dimension enter chart on Standard Drawing E 715-ANCH-02 with known span and rise.
3. Riprap shall be placed at the ends of pipe structures when shown on plans.

INDIANA DEPARTMENT OF TRANSPORTATION

SINGLE PIPE  
CONCRETE ANCHOR

SEPTEMBER 2009

STANDARD DRAWING NO. E 715-SPCA-02



DESIGN STANDARDS ENGINEER

/s/ Richard L. VanCleave 09/01/09  
DESIGN STANDARDS ENGINEER DATE

/s/ Mark A. Miller 09/01/09  
CHIEF HIGHWAY ENGINEER DATE